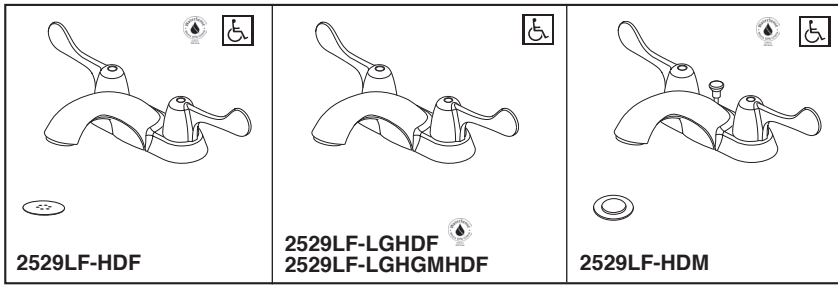




LAVATORY FAUCETS

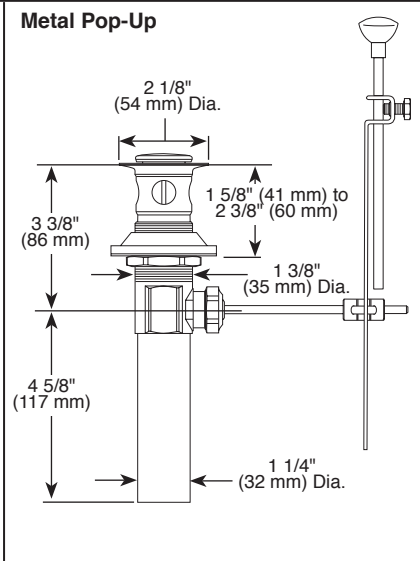
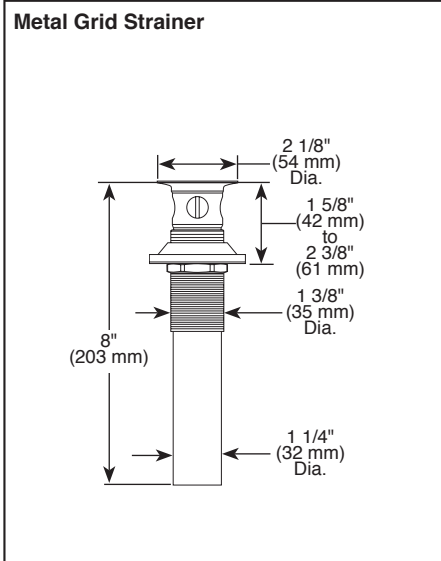
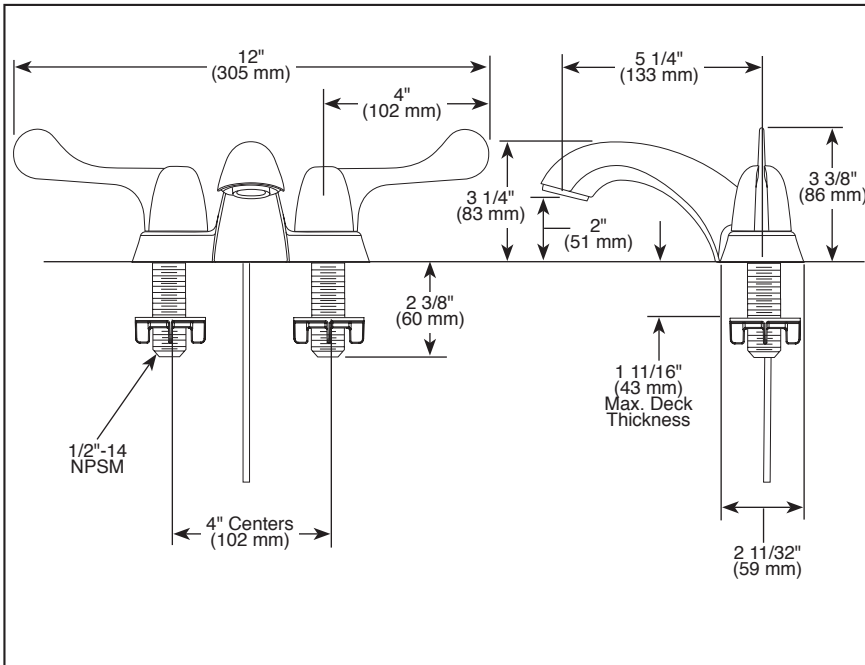
Two Handle Deck Mount



Submitted Model No.: _____
 Specific Features: _____

STANDARD SPECIFICATIONS:

- Max. flow rate 1.2 gpm @ 60 psi, 4.5 L/min @ 414 kPa
- HGM models only - max. flow rate 0.5 gpm @ 60 psi, 1.9 L/min @ 414 kPa
- Solid brass fabricated body
- Two and three hole mount
- Metal grid strainer (2529LF-HDF)
- Metal pop-up drain (2529LF-HDM)
- 1/4 turn handle stops
- Control mechanism is a rotating cylinder with stainless steel plate and 90° rotation, with replaceable non-metallic seats operating in stainless steel lined sockets
- Models containing "M" in suffix have metal drain with pop-up type fitting with plated flange and stopper
- 2529LF-LGHGMHDF equipped with vandal resistant 0.5 gpm spray outlet and wrench



WARRANTY

- Parts and Finish - Lifetime limited warranty; or for commercial purchasers, 10 years for multi-family residential (apartments and condominiums) and 5 years for all other commercial uses, in each case from the date of purchase.
- Electronic Parts and Batteries (if applicable) - 5 years from the date of purchase; or for commercial purchasers, 1 year from the date of purchase. No warranty is provided on batteries.

COMPLIES WITH:

- ASME A112.18.1 / CSA B125.1
- ASME A112.18.2 / CSA B125.2
- Indicates compliance to ICC/ANSI A117.1
- Verified compliant with .25% weighted average Pb content regulations.
- EPA WaterSense - (2529LF-HDF, 2529LF-LGHDF, & 2529LF-HDM only)